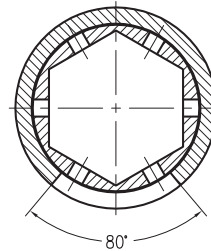
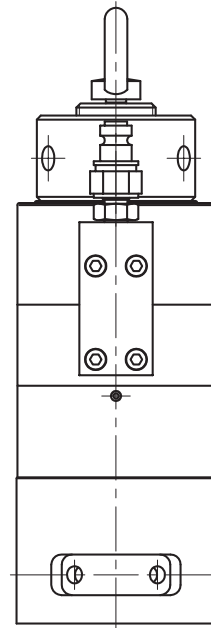
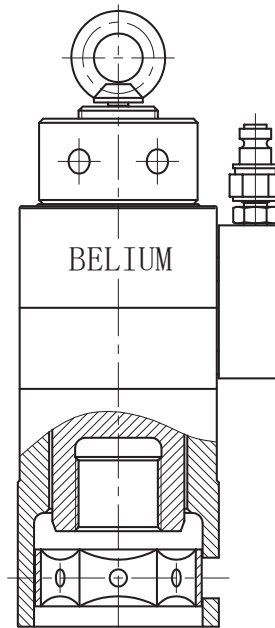


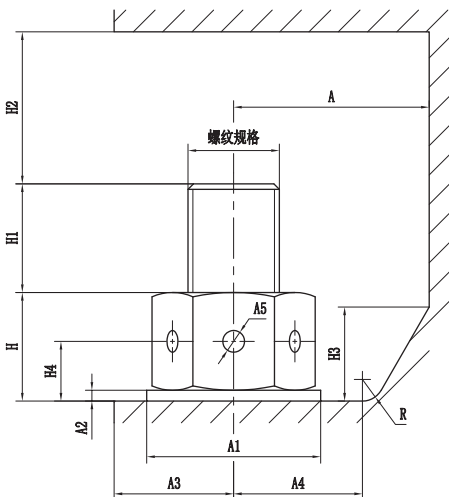
BHT-MT SERIES MULTI-STAGE TENSIONERS



FEATURES AND BENEFITS:

- Relatively smaller dimension with higher tension force, suitable for small space
- Multi-stage design, maximize the tensioning length
- Suitable for single type bolt tensioning, high precision and convenient operation
- Max. Pressure: 1500 Bar
- Can be operated with ultra high pressure hand pump, air pump and electric pump

Customers can fill the form below for us to chose the right design of multi-stage bolt tensioners for your solutions



THREAD: _____
 DISTANCE: _____ mm.
 NUT TYPE(R/HEX): _____
 NUT SIZE (OD/S) : _____
 MAX. FORCE: _____ KN.
 NUT NO.: _____
 WORKING TEMPERATURE: _____ °C.

A: _____ MM
 A1: _____ MM
 A2: _____ MM
 A3: _____ MM
 A4: _____ MM
 A5: _____ MM

H: _____ MM
 H1: _____ MM
 H2: _____ MM
 H3: _____ MM
 H4: _____ MM
 R: _____ MM